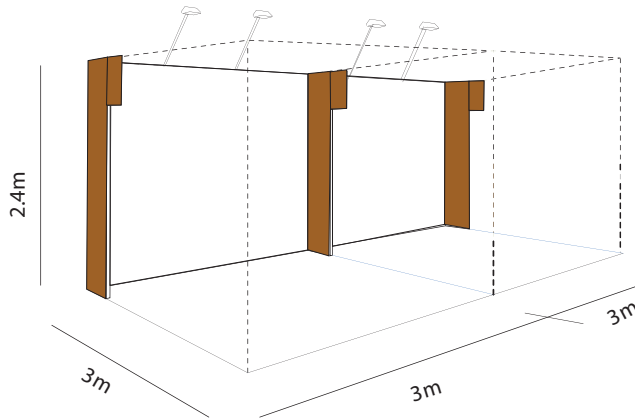


Stand build example.



Standard build, no side walls.



Additional side walls \$299 + GST



STAND PRICING STRUCTURE

Stand Size	Platinum	Gold	Silver
2x2 4sqm	\$3,287	\$3,195	\$3,115
2.5x2.5 6.25sqm	\$4,484	\$4,340	\$4,215
2x3 6sqm	\$4,538	\$4,400	\$4,280
2.5x3 7.5sqm	\$5,277.50	\$5,105	\$4,955
3x3 9sqm	\$6,017	\$5,810	\$5,630
3x4 12sqm	\$7,671	\$7,396	\$7,155
3x5 15sqm	\$9,415	\$9,070	\$8,770
3x6 18sqm	\$11,159	\$10,745	\$10,385
3x7 21sqm	\$12,813	\$12,330	\$11,910
3x8 24sqm	\$14,557	\$14,005	\$13,525
3x9 27sqm	\$16,301	\$16,580	\$15,140
3x10 30sqm	\$17,955	\$17,265	\$16,665

All prices exclude GST. Please add 10% | Additional \$275 surcharge for corners.

THIS PRICE INCLUDES:

*subject to booking deadline

- 2.4m high back wall
* side walls optional extra (\$299 +gst)
- 1 x wall mounted light per 1.5m of walling
- Print listing in event Lookbook & Hanbook
*subject to booking deadline
- Digital listing in the online directory
*live throughout the campaign
- Emperia lead scan app to use at the show
- Public liability insurance

Get in touch.

SINEAD KAVANAGH | SALES MANAGER
sinead.kavanagh@reedexpo.com.au
02 9422 8694

MAYA OXFORD | ACCOUNT MANAGER
maya.oxford@reedexpo.com.au
02 9422 2538